

Duo(GVR-3003) Dual Channel Linear Voltage Regulator

The GVR-3003 DUO (Dual Channel Linear Voltage Regulator) has been developed as a linear voltage regulator and is dedicated to general usage purpose in Rc models (Gyros, Governors, Landing gear servos...).

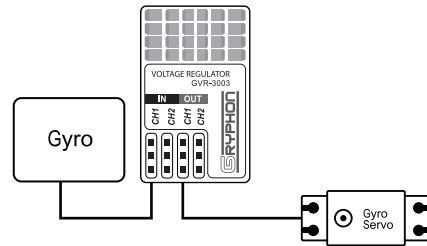
It can be installed between the battery and receiver, or Receiver and servo, or Servo/receiver and Gyro. It is easy to install and use.

Specifications

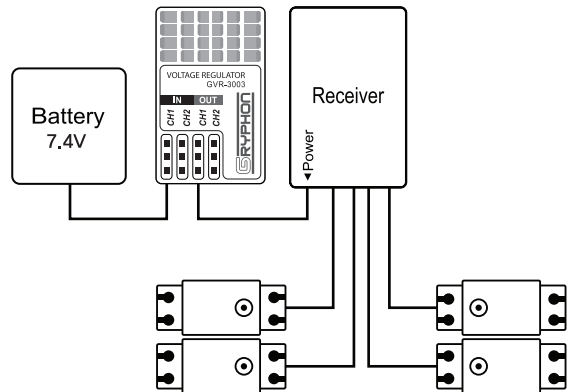
- Input voltage : 6 to 10V (5 to 8 cell NiCd/MH or 2cell LiFe/Po)
- Output voltage : 5.2V or 6.0V
- Output current : 3A(Continuous), MAX 10A(@6V,30sec)
- Size : 10mm(H) x 23mm(W) x 40mm(L)
- Weight : 10g
- Components : Main unit 1EA, RX Cable 2EA

Features

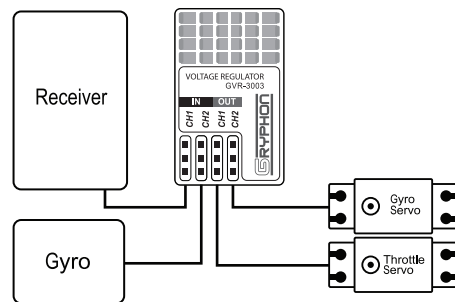
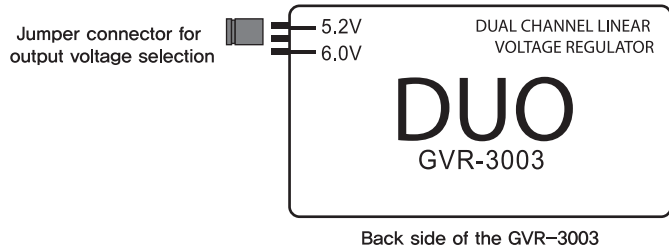
- ◆ High quality LDO controller for noise free and stable voltage supply, high current draw ability.
- ◆ Up to 10A (30 seconds) output power ability
- ◆ Perfect for voltage regulation on Gyros to improve the rudder and gyro response characteristics
- ◆ Compact size and light weight enabling easy installation in all kind of RC Models. Can be used as a main power regulator on 2 channels models.
- ◆ Set the jumper connectors using the output voltage of 5.2V 6.0V can be selected.



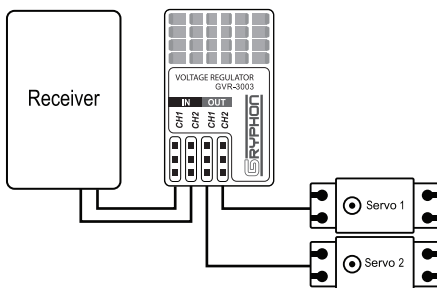
- ▲ Installation Diagram for tail servo usage. Please note that if the Gyro unit needs also regulated voltage (4,8 or 6,0V), it can be connected directly on the output channel 1 or 2 with the servo wired on the gyro. Please use the appropriate input channel to link Rudder channel output of the receiver to the GVR-3003. You can also connect the gain channel on the free input channel and plug the Input gain channel of the gyro on the appropriate output to benefit of the noise filter.



- ▲ Installation diagram for main regulator mode usage



- ▲ Installation diagram to use the Gyro channel + another channel. You will note that the input voltage connectors are parallel so you can supply voltage to one or the other input channel by the other one.



- ▲ Installation diagram for voltage regulation from Receiver to servos (4,8V or 6,0V output), input up to 7,4V nominal (8,4V with fully charged LiPo 2S)

GRYPHON

1084-664, Bangchon, Dong-gu, Daegu, Korea

TEL : +82 53 983 1793

FAX : +82 53 289 0724

E-mail : master@gryphon.co.kr

ULR : www.gryphon.co.kr